



Fire Sprinkler Monitoring Products



WATERFLOW DETECTOR MODEL F6001

SIZE 2"-8"

- Designed for both indoor and outdoor use; temperature range 0° C to 68° C.
- Equipped with tamper resistant screws to prevent unauthorized entry.
- Two synchronized switches are enclosed in a durable terminal block.
- Designed and built for accuracy and repeatability.
- UL/ULC Listed.
- FM Approved.
- GOST Certified.



SUPERVISORY SWITCH FOR INDICATOR POST MODEL WIP

WIP-1/WIP-2/WIP-3

- Designed for both indoor and outdoor use; temperature range -40° C to 60° C.
- Designed for use with Wall or Vertical indicator post.
- Enclosure with die cast finish, red powder coated.
- Two synchronized switches are enclosed in a durable terminal block.
- Designed and built for accuracy and repeatability.
- UL/ULC Listed.
- FM Approved.



SUPERVISORY SWITCH FOR OS&Y VALVE MODEL WOSY

WOSY-1/WOSY-2/WOSY-3

- Designed for both indoor and outdoor use; temperature range -40° C to 60° C.
- Designed for Outside Screw & Yoke (OS&Y) Gate Valve.
- Enclosure with die cast finish, red powder coated.
- Two synchronized switches are enclosed in a durable terminal block.
- Designed and built for accuracy and repeatability.
- UL/ULC Listed.
- FM Approved.



PRESSURE SWITCH MODEL WPS

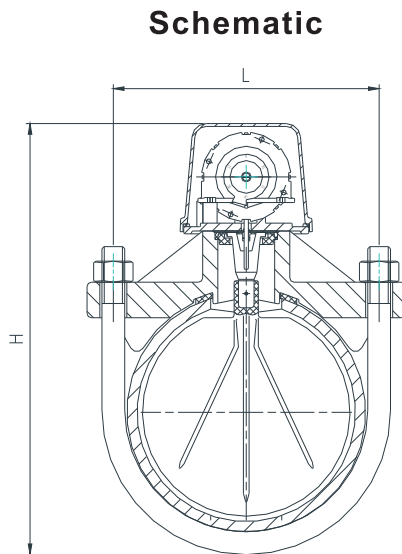
WPS10-1/WPS10-2/WPS40-1/WPS40-2/WPS120-1/WPS120-2

- Designed for both indoor and outdoor use; temperature range -40° C to 60° C.
- Enclosure with die cast finish, red powder coated.
- Two synchronized switches are enclosed in a durable terminal block.
- Designed and built for accuracy and repeatability.
- UL/ULC Listed.
- FM Approved.

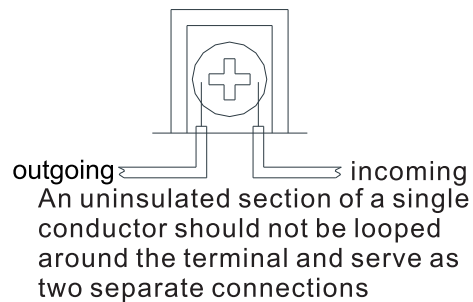
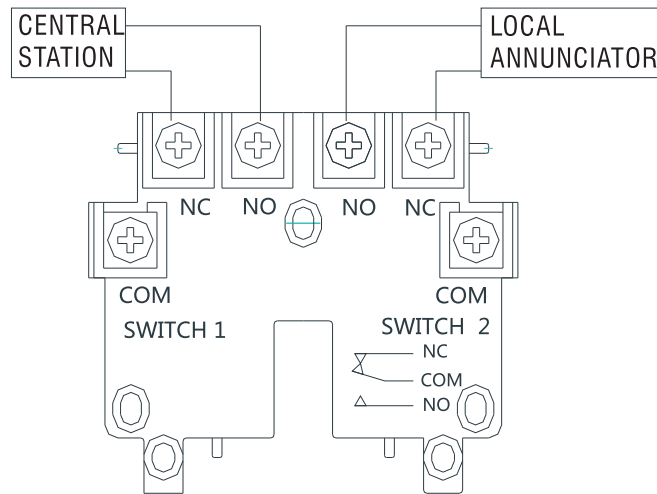
Waterflow Detector Size 2"-8"

Features:

- Flow sensitivity range: 4-10 GPM(15-38LPM).
- Contact rating:
8A@125/250VAC, 3A@24VDC, 2.5A@ 30VDC.
- Working Pressure: 450PSI.
- Working Temperature: 0°C to 68°C.
- Corrosion Protection:
Fusion Bonded Epoxy Coated Interior and Exterior
or Enamel Spray Paint, Interior and Exterior.
- UL/ULC Listed.
- FM Approved.
- GOST Certified.



Typical Connections



Dimensions (mm)

Size	DN50	DN65	DN80	DN100	DN125	DN150	DN200
L	84	92	104	133	160	187	239
H	190	200	220	245	270	300	350
Nominal Pipe Size OD.	60.3	73	88.9	114.3	141.3	168.3	219.1
Pipe Wall Thickness	2.77-3.91	3.05-5.16	3.05-5.49	3.05-6.02	3.40-6.55	3.40-7.11	3.76-8.18

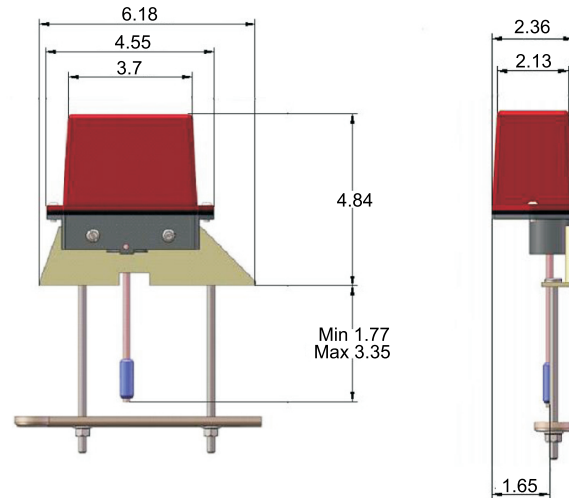
The designs, materials and specifications shown are subject to change without notice due to the continuous development of our products.

Supervisory Switch For Outside Screw and Yoke (OS&Y) Gate Valve WOSY-1/WOSY-2/WOSY-3

Features:

- Weight : 0.6 kg .
- Enclosure :
 - Cover: Die Cast
 - Finish: Red Powder Coat
 - Base: Die Cast
 - All parts have corrosion resistant finishes
- Cover Tamper:
 - Tamper Resistant Screws
 - Cover Tamper Switch Available
 - 3Amps / 5 Amps at 125/250VAC
- Contact Ratings:
 - WOSY-1: One Set of SPDT
 - WOSY-2: Two Sets of SPDT
 - WOSY-3: Two Sets of SPDT and Cover Tamper Switch
 - 10 Amps at 125/250 VAC
 - 2.5 Amps at 30VDC Resistive
- Conduit Entrances:
 - One knockout and one hole for ½" conduit provided
- Service Use: NFPA 13, 13D, 13R, 72
- UL/ULC Listed.
- FM Approved.

Dimensions /inch

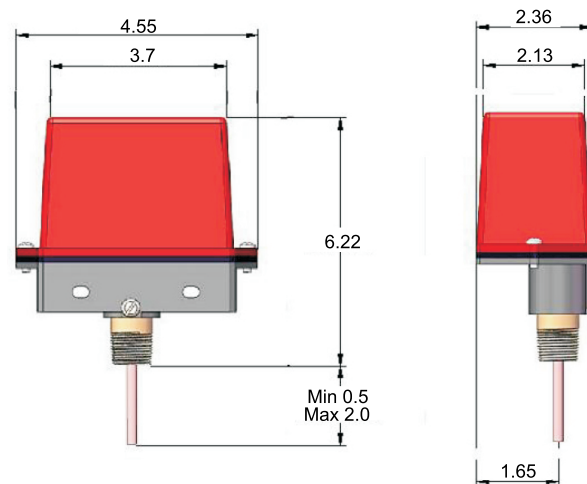


Supervisory Switch For Wall or Vertical Indicator Post WIP-1/WIP-2/WIP-3

Features:

- Weight : 0.45 kg.
- Enclosure :
 - Cover: Die Cast
 - Finish: Red Powder Coat
 - Base: Die Cast
 - All parts have corrosion resistant finishes
- Cover Tamper:
 - Tamper Resistant Screws
 - Cover Tamper Switch Available
 - 3Amps / 5 Amps at 125/250VAC
- Contact Ratings:
 - WIP-1: One Set of SPDT
 - WIP-2: Two Sets of SPDT
 - WIP-3: Two Sets of SPDT and Cover Tamper Switch
 - 10 Amps at 125/250 VAC
 - 2.5 Amps at 30VDC Resistive
- Conduit Entrances:
 - One knockout and one hole for ½" conduit provided
- UL/ULC Listed.
- FM Approved.

Dimensions /inch



The designs, materials and specifications shown are subject to change without notice due to the continuous development of our products.

Pressure Switch

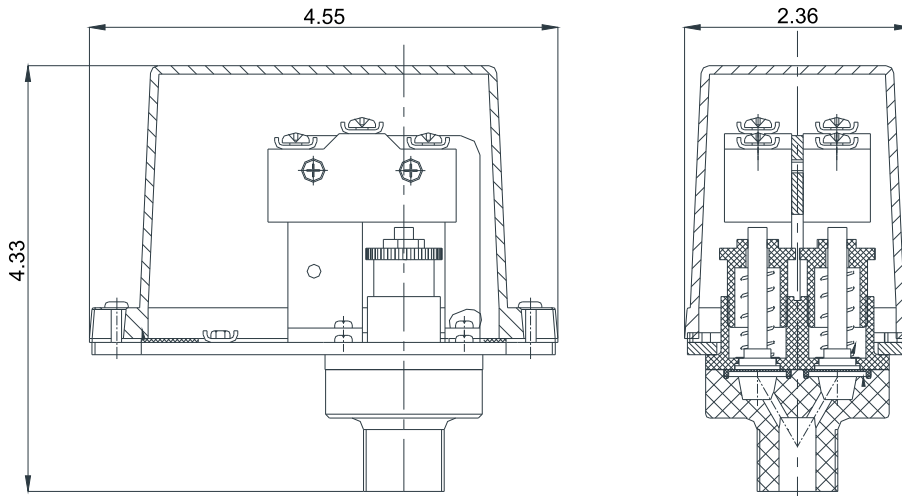
WPS10-1 WPS10-2 WPS40-1 WPS40-2 WPS120-1 WPS120-2

Features:

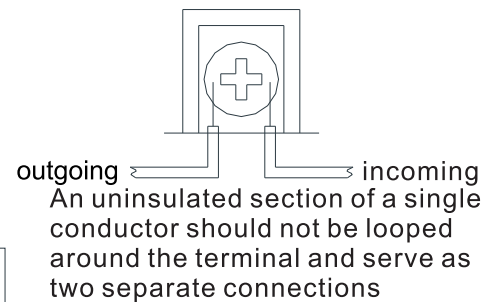
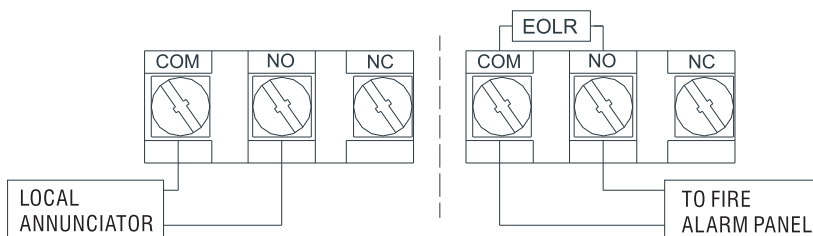
- Maximum Adjustment Pressure Range:
WPS10-1/WPS10-2: 4-20psi
WPS40-1/WPS40-2: 10-100psi
WPS120-1/WPS120-2: 10-200psi
- Factory Setting:
WPS10-1, WPS10-2: 4-8 psi
WPS40-1: operates at decreasing pressure at 30 psi
WPS40-2: operates at increasing pressure at 50 psi and decreasing pressure 30 psi
WPS120-1: operates at decreasing pressure at 110 psi
WPS120-2: operates at increasing pressure at 130 psi and decreasing pressure 110 psi
- Approximate Differential:
WPS10-1/WPS10-2: 3 psi throughout range
WPS40-1/WPS40-2: 3 psi @ 10psi & 6psi @ 100psi
WPS120-1/WPS120-2: 3 psi @ 10psi & 9psi @ 200psi
- Contact Rating:
10A@125/250VAC,
2.5A@30VDC
- UL/ULC Listed.
- FM Approved.



Schematic&Dimensions /inch



Typical Connections



The designs, materials and specifications shown are subject to change without notice due to the continuous development of our products.