

## OS&Y RESILIENT SEATED GATE VALVE FLANGED ENDS 300PSI FIG · F0111 – 300

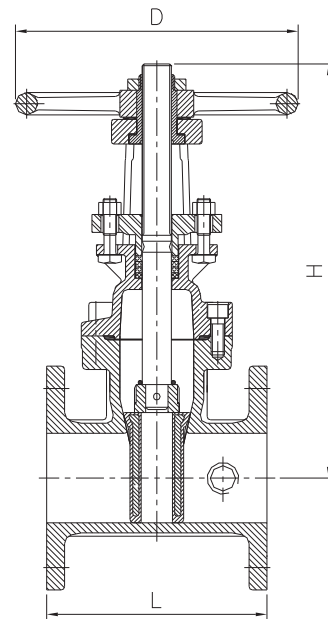
### Specifications

- Complies with AWWA C515 Standard
- Heavy duty handwheel and attachment nut
- High quality graphite stem seal
- NPT plug on body
- Flanges to ANSI B16.1 Class125 (Other flange types available upon Request)
- UL Listed and FM Approved
- Working pressure:  
300PSI  
200PSI and 250PSI available on request
- Working temperature:  
42° F – 180° F
- Corrosion protection:  
Fusion Bonded Epoxy Coated Interior and Exterior to AWWA C550 Standard
- Installation:  
Valves installed in horizontal piping systems should have the stems oriented vertically  
Valves installed in vertical piping systems should have the stems oriented horizontally

**Note:**

*Design and material are subject to change without notice.*

### Schematic



### Material Specifications

Part Name	Material	ASTM Spec.
Body	Ductile Iron	A536 65-45-12
Wedge	Ductile Iron, EPDM Encapsulated	
Wedge Nut	Stainless Steel	AISI 304
Stem	Stainless Steel	AISI 420
Bonnet	Ductile Iron	A536 65-45-12
Gasket	Rubber	EPDM
Packing	Graphite	Commercial
Gland	Ductile Iron	A536 65-45-12
Yoke Nut	Bronze	B62 C83600
Handwheel	Ductile Iron	A536 65-45-12
Handwheel Nut	Ductile Iron	A536 65-45-12
NPT Plug	Malleable Iron	Commercial
Gland Bolt	Stainless Steel	AISI 316
Bonnet Bolt	Carbon Steel	A307 B

### Dimensions (mm/inch)

Size	2.5"		3"		4"		5"		6"		8"		10"		12"	
	mm	inch	mm	inch	mm	inch	mm	inch	mm	inch	mm	inch	mm	inch	mm	inch
L	190.5	7-1/2	203	8	229	9	254	10	267	10-1/2	292	11-1/2	330	13	356	14
H (Open)	415	16-5/8	480	18-7/8	550	21-5/8	655	25-4/5	740	29-1/8	930	36-5/8	1130	44-1/2	1320	52
H (Close)	350	13-3/4	400	15-3/4	450	17-3/4	530	20-7/8	590	23-1/4	730	28-3/4	880	34-3/4	1020	40-1/6
D	184	7-1/4	254	10	254	10	305	12	305	12	356	14	445	17-1/2	445	17-1/2
Weight (LBS)	44		55		66		92.5		110		170		264		374	