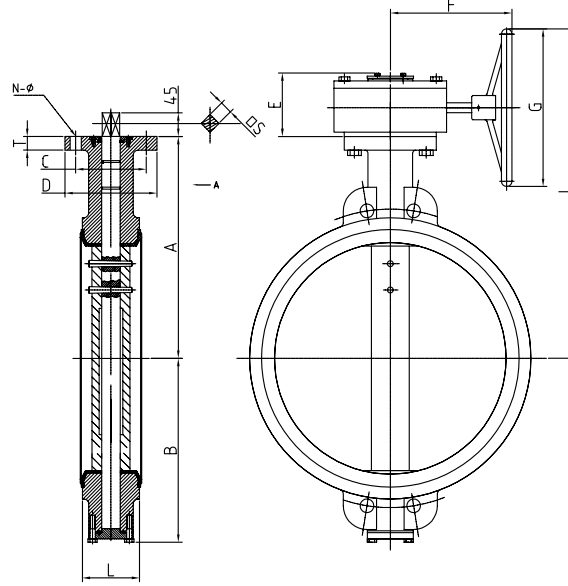


HVAC ÜRÜN KATALOĞU - HVAC PRODUCTS

WAFER TİP KELEBEK VANA / WAFER TYPE BUTTERFLY VALVE

BWN - 0201 / BWN-0301
 BWN - 0202 / BWN-0302
 BWN - 0203 / BWN-0303
 BWN - 0204 / BWN-0304
 BWN - 0205 / BWN-0305



Malzeme / Materials

Gövde / Body	: BWN 0201/BWN 0202/BWN 0203/BWN 0204/BWN 0205 Pik Döküm (GG25) BWN 0301/BWN 0302/BWN 0303/BWN 0304/BWN 0305 Cast Iron (GG25)
Klape / Disc	: Nikel Kaplı Sfero Döküm/Paslanmaz Çelik Nickel Plated Ductile Iron/Stainless Steel
Sit / Seat	: EPDM/NBR/Viton
Mil / Stem	: Paslanmaz Çelik / Stainless Steel
O-Ring	: EPDM
Civata / Bolt	: Karbon Çelik / Carbon Steel
Somun/Nut	: Karbon Çelik / Carbon Steel

Genel özellikler / General Properties

Standart No	: TS EN 593
Basınç Sınıfı / Pressure Rating	: PN16 / PN25
Maksimum Çalışma Sıcaklığı / Maximum Working Temp.	: EPDM için 120 °C (Su) / EPDM for 120 °C Water NBR için 90 °C (Su ve Madeni Yağ) / NBR for 90 °C (Water and Petroleum Oil)

DN	A	B	L	N-O	C	D	E	F	G	T	S	C	Kv
350	368	280	78	4-14	125	150	161	226	297	24	22	565	10300
400	400	310	88	4-18	140	175	252	266	388	25	27	660	13220
450	422	340	109	4-18	140	175	252	266	388	26	27	682	17150
500	480	388	127	4-22	165	210	264	241	388	25	48	730	21080
600	562	450	154	4-22	165	210	264	241	388	30	48	812	31100